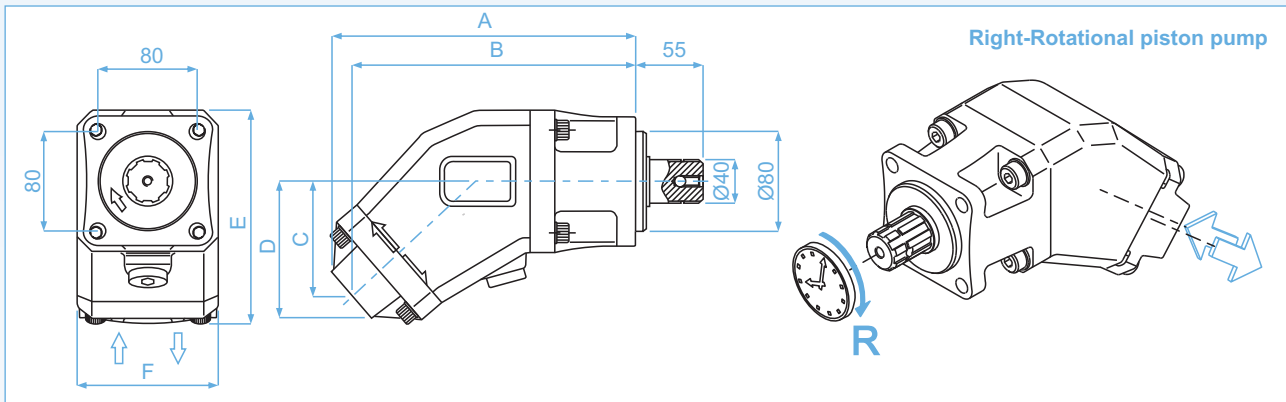


Hyva Pumps

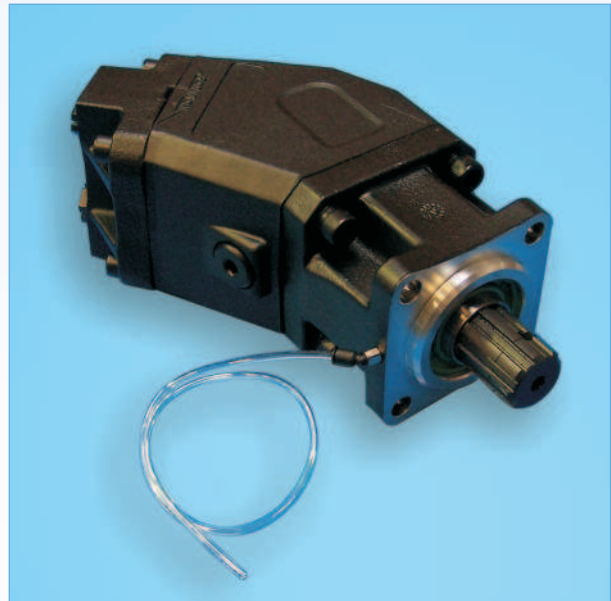
Piston pumps ISO 4H

Piston pumps ISO 4H: Left or Right Rotational

Part no.	Description	displacement	weight	kit no.	suction side	suction adapter	press. side	press. adapter	RF/MSPS	work. press.
145 64 600	Piston pump 040L-R-4H	40 cm ³	12	PQ440	G1"	1 3/4"	G 3/4"	3/4"	2500/1850	350 bar
145 64 605	Piston pump 040L-L-4H	40 cm ³	12	PQ441	G1"	1 3/4"	G 3/4"	3/4"	2500/1850	350 bar
145 64 610	Piston pump 050L-R-4H	50 cm ³	12	PQ450	G1"	1 3/4"	G 3/4"	3/4"	2400/1700	350 bar
145 64 615	Piston pump 050L-L-4H	50 cm ³	12	PQ451	G1"	1 3/4"	G 3/4"	3/4"	2400/1700	350 bar
145 64 620	Piston pump 063L-R-4H	63 cm ³	12	PQ463	G1"	1 3/4"	G 3/4"	3/4"	2200/1600	350 bar
145 64 625	Piston pump 063L-L-4H	63 cm ³	12	PQ464	G1"	1 3/4"	G 3/4"	3/4"	2200/1600	350 bar
145 64 630	Piston pump 080L-R-4H	80 cm ³	12	PQ480	G1"	1 3/4"	G 3/4"	1"	2000/1300	315 bar
145 64 635	Piston pump 080L-L-4H	80 cm ³	12	PQ481	G1"	1 3/4"	G 3/4"	1"	2000/1300	315 bar
145 64 640	Piston pump 080L-HP-R-4H	80 cm ³	16	PQ482	G1 1/4"	1 3/4"	G1"	1"	2200/1300	350 bar
145 64 645	Piston pump 080L-HP-L-4H	80 cm ³	16	PQ483	G1 1/4"	1 3/4"	G1"	1"	2200/1300	350 bar
145 64 700	Piston pump 110L-HP-R-4H	110 cm ³	17	PQ484	G1 1/4"	2"	G1"	1"	2000/1300	350 bar
145 64 705	Piston pump 110L-HP-L-4H	110 cm ³	17	PQ485	G1 1/4"	2"	G1"	1"	2000/1300	350 bar



Part no.	Description	A	B	C	D	E	F
145 64 600	Piston pump 040L-R-4H	244	228	91	110	173	116
145 64 605	Piston pump 040L-L-4H	244	228	91	110	173	116
145 64 610	Piston pump 050L-R-4H	244	228	91	110	173	116
145 64 615	Piston pump 050L-L-4H	244	228	91	110	173	116
145 64 620	Piston pump 063L-R-4H	244	228	91	110	173	116
145 64 625	Piston pump 063L-L-4H	244	228	91	110	173	116
145 64 630	Piston pump 080L-R-4H	244	228	91	110	173	116
145 64 635	Piston pump 080L-L-4H	244	228	91	110	173	116
145 64 640	Piston pump 080L-HP-R-4H	269	251	108	129	198	127
145 64 645	Piston pump 080L-HP-L-4H	269	251	108	129	198	127
145 64 700	Piston pump 110L-HP-R-4H	273	251	108	129	198	127
145 64 705	Piston pump 110L-HP-L-4H	273	251	108	129	198	127



Hyva Pumps

Pump accessories

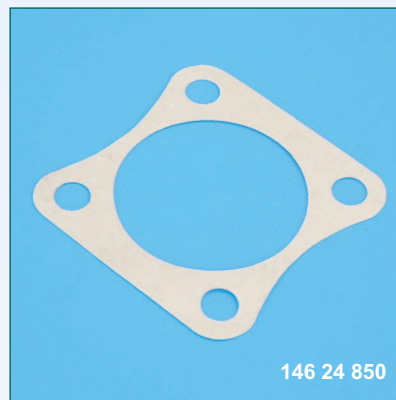
Pump parts

Part no.	Description
020 50 010 H	Connection kit UNI 3H-27ltr. and brite series
020 90 101	Connection kit UNI 3H-20,25,32ltr



Pump parts

Part no.	Description
146 24 850	Gasket pump ISO 4H



Pump - P.T.O. Adapters

Part no.	Description
020 50 411 H	Adapter pump 3H - 4H P.T.O
020 85 011	Adapter pump 3H - 4H P.T.O - 1C
020 85 012	Adapter pump 3H - 4H P.T.O - 2C

Mount the adapters to the pump with connection kit 020 50 010 H



Hyva Pumps

Pump accessories

Pump - P.T.O. Adapters

Part no.	Description
020 50 370 H	Adapter P.T.O. 3H - 4H pump

This adapter is delivered including the connection kit.



Pump - cardan flange

Part no.	Description
020 50 407	Pump flange DIN 00



Drive shafts

Part no.	Description
145 90 510	Drive shaft S32/36 x F115,9/4-70
145 90 615	Drive shaft S32/36 x F97/4-70
145 90 650	Drive shaft F100/6 x F100/6-70

A wide range of other lengths en flanges also available



Suction and pressure adaptors are listed in the special section of the Hyva Catalogue for hoses and adaptors. The number of possible adaptors, flanges and drive shafts exceed the available space in this catalogue. Please specify your application in detail and forward this to your Hyva partner. Our engineers will put together the best solution for your application from our extended range components.